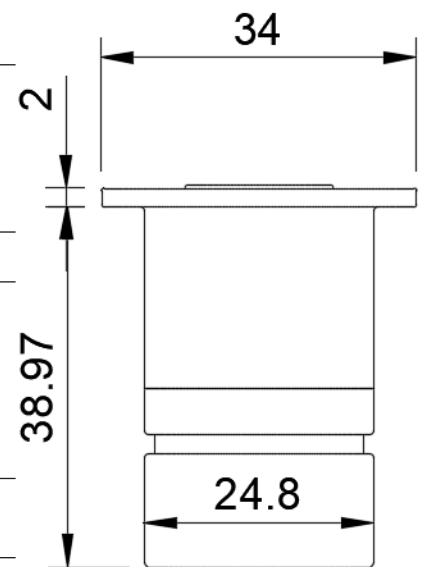


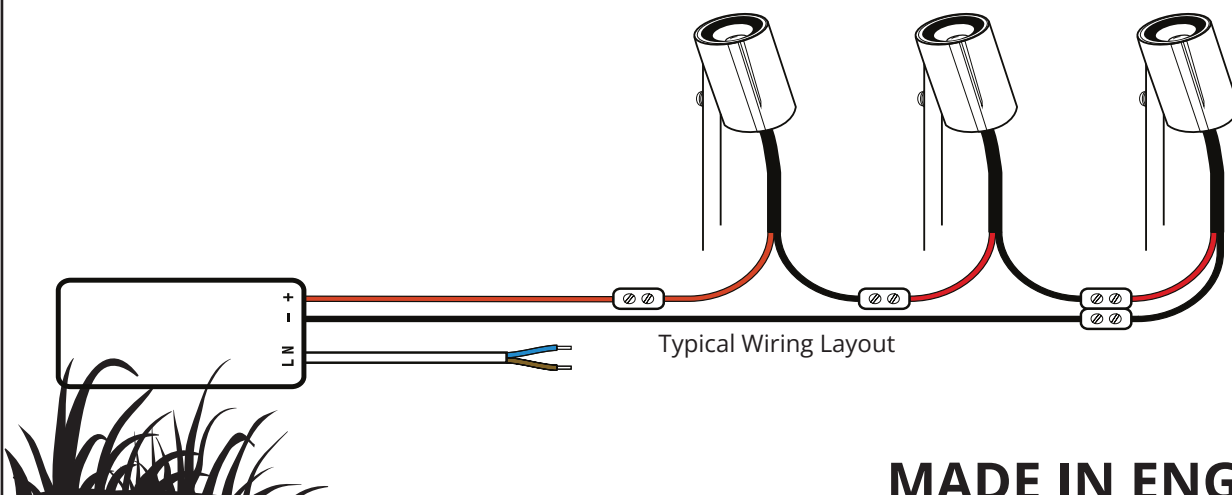
MICRO INSET LIGHT

*Hudson
lighting*

Power	1W standard (350mA) 2W option (350mA) 3W option (350mA)
Ingress protecton rating	IP68
Cable	0.5mm 2 core - 2m as standard. Other lengths on request
LED Colour	3000K standard 4000K standard 2700K standard 1800K - 6500K on request
Optics	20 degree 30 degree 55 degree 70 degree Hex cell & half moon options available
CRI	80+
Material	Black powder coat Nato green powder coat Corten powder coat Bronze powder coat Custom RAL Copper, Brass & 316 stainless as special order
Warranty	10 Years on the fitting
Efficiency	187 lm/W at chip
Input Power	350mA wired in series
Replacement Components	LED Protection circuit board with cable Top Back Lens Reflector O-rings



Cutout: 25mm



MADE IN ENGLAND

hudsonlighting.co.uk