



Features:

- Constant Current mode output with multiple levels selectable by dip switch
- Dimming function: Triac/phase cut dimming
- Work with leading or trailing edge Triac dimmer
- (ON key: leading edge; 1 key: trailing edge)
- AC input: 200-240VAC
- Built-in active PFC function
- Efficiency up to 75%
- IP20 design for indoor installation
- Full protection plastic housing easy installation
- Protections: Short circuit/ Over load
- Cooling by free air convection
- Suitable for LED lighting and moving sign applications
- Strong compatibility, flicker-free dimming

Models

ELED-10P-C100/450T



Output Specifications

	450mA	400mA	350mA	300mA	250mA	200mA	150mA	100mA
Rated Current	⏏⏏⏏	⏏⏏	⏏⏏	⏏⏏	⏏⏏	⏏⏏	⏏⏏	⏏⏏
Current Tolerance	± 25mA							
Output Voltage	3-22V	3-25V	3-28V	3-33V	3-40V	3-42V	3-42V	3-42V
Rated power	10W	10W	10W	10W	10W	8.4W	6.3W	4.2W

Input Specifications

Voltage Range	200-240VAC							
Frequency Range	47-63Hz							
Inrush Current	11A (Twidth=7.2μs 230VAC)							
Power Factor (Typ.)	0.95	0.95	0.95	0.95	0.95	0.95	0.95	0.95
Full Load Efficiency (Typ.)	79%	79%	79%	79%	79%	79%	79%	79%
AC Current (Typ.)	0.1A							
Leakage Current	<0.50mA/220VAC							

Protection

Short Circuit	Constant Current mode, recovers automatically after fault condition is removed
Over Load	≤120%
Over Current	≤1.4*I out
Protection Class	II

Environment

Working Temperature	-40~+60°C (Refer to derating curve)
Working Humidity	20-90% RH, non-condensing
Storage Temperature, Humidity	-40~+80°C, 10-95% RH

Environment

Temperature Coefficient	±0.03%/°C (0-50°C)
Vibration	10-500Hz, 2G 12min./ 1 cycle, period for 60min.each along X, Y, Z axes

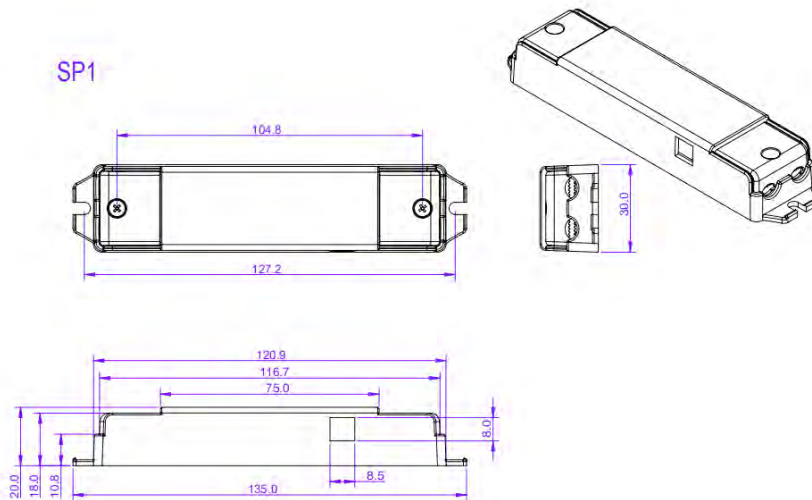
Safety & EMC

Safety standards	EN61347-1, EN61347-2-13, UL8750
Withstand voltage	I/P-O/P:3.75KVAC
Isolation resistance	I/P-O/P:100MΩ/500VDC/25°C/70%RH
EMC Emission	Compliance to EN55015, EN61000-3-2,3 (≥50% load), FCC Part 15B
EMC Immunity	Compliance to EN61000-4-2,3,4,5,6,11, EN61547, A light industry level (surge 4KV)

Other Specifications


Weight	0.10 kg
Size	135 x 30x 20 mm
Packing	320 x 280 x 215 mm (50PCS/CTN)

Mechanical Specifications

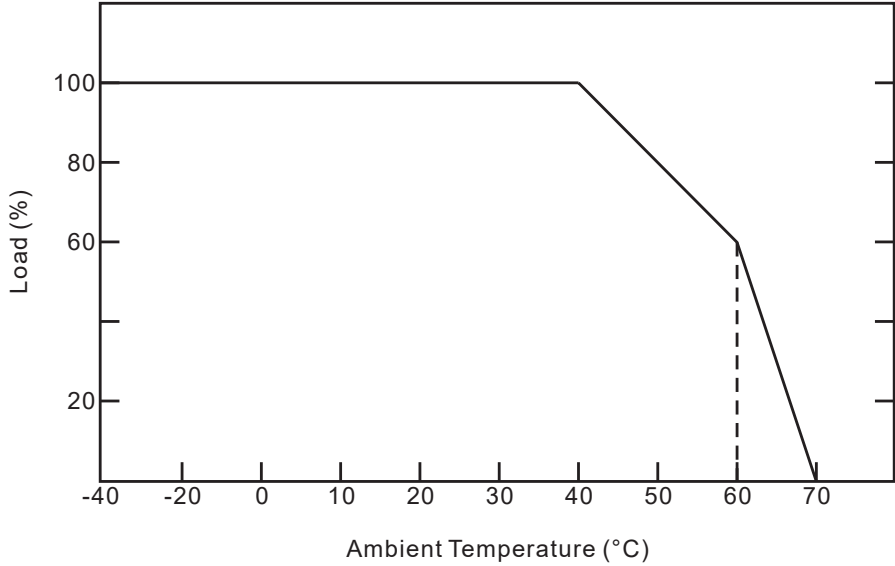


- ※Input with DG126 terminals 3P: Live Wire AC (L), Neutral Wire AC(N)
- ※Output LED SEC with DG126 terminals 2P: output Positive (LED+), output negative (LED-). Connected to LED Lamps.
- ※Suggested wire diameter: Input 0.75-2mm²; Output:0.5-2mm².
- ※Please make sure you connect these correctly otherwise your product will not function correctly and could be damaged.
- ※Note: Any other requests we can customized.

Dimming Operation:

- ※Output constant current level can be adjusted through input terminal of the AC phase line(L) by connection a Triac dimmer.
 - ※Usually matching with leading edge and trailing edge dimmer both.
- At input area of ELED-10 series:
- 
- ※please try to use the small power dimmer, have access to a wider dimming range,
 - high-power dimmer is difficult to achieve the output current to zero
 - ※please try to use dimmers with power at least 2 times as the output power of the driver.

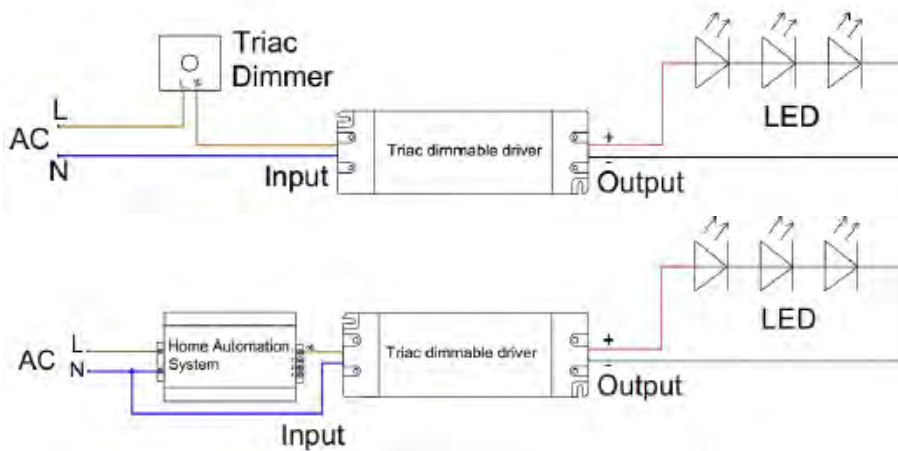
Derating Curve



※To extend their life, please refer to the Derating Curve and derate according to the temperature.

Dimming Operation

■ Connecting Diagram in Single (I)



■ Connecting Diagram Multiple (II)

