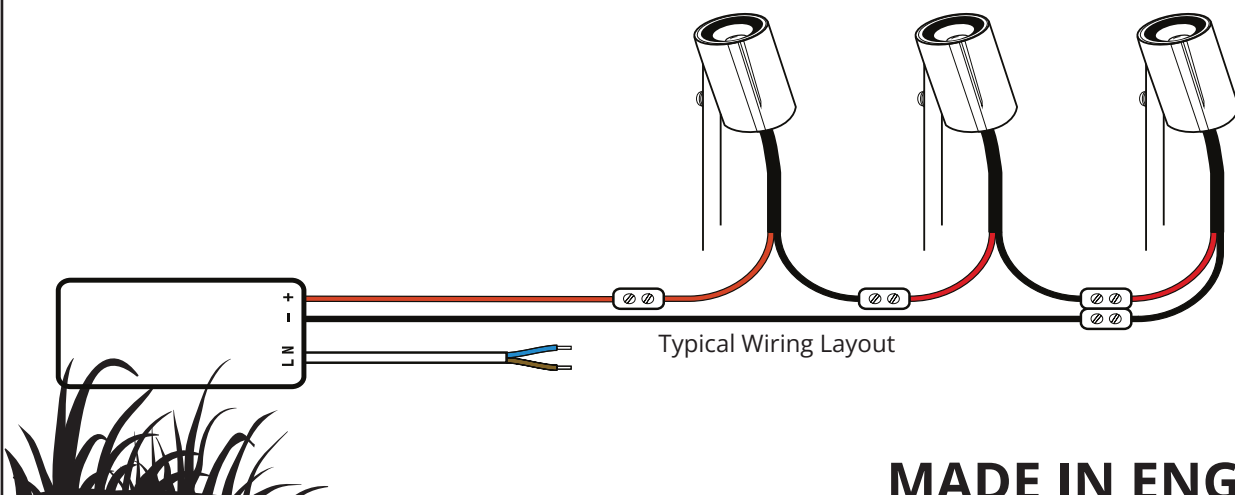
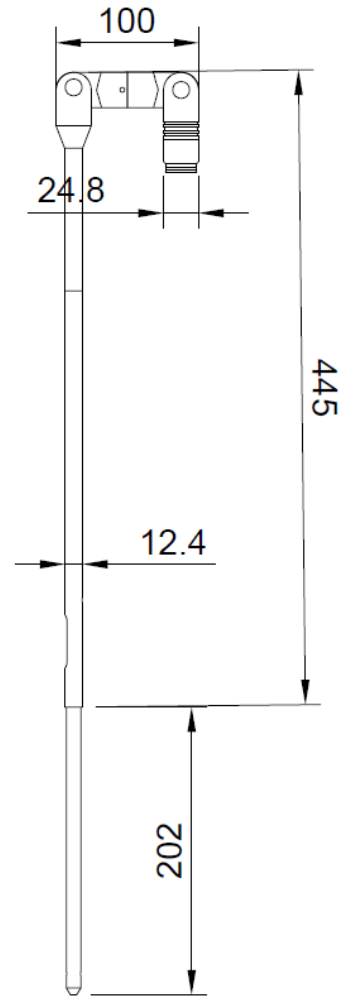


DOWNWARD SPIKE SPOT SPECIFICATION

Hudson
lighting

Power	1W option (350mA) 2W option (350mA) 3W standard (350mA)
Ingress protecton rating	IP68 - Each tested at 1m for 1 hour
Cable	0.5mm PVC 2m - Longer on request
LED Colour	3000K standard 4000K standard 2700K standard 1800K - 6500K on request
Optics	55 degree standard. Any other available on request
CRI	80+
Material	316 Stainless steel Brass Copper Black powder coat Nato green powder coat CorTen powder coat Custom RAL
Warranty	10 Years
Efficiency	187 lm/W at chip
Input Power	350mA wired in series
Replacement Components	LED Protection circuit board with cable Top Lens Bottom Ball joint Hinge Base Optic if applicable Internal and external O-rings



MADE IN ENGLAND

hudsonlighting.co.uk